

[See all 10 Products in Family](#)

## Nikon Type N 8ml PCB Free Immersion Oil

See More by [Nikon](#)



Stock #75-380 NEW CONTACT US

⊖ 1 ⊕ C\$21<sup>00</sup>

ADD TO CART

Volume Pricing	
Qty 1+	C\$21.00 each
Need More?	<a href="#">Request Quote</a>

Product Downloads

**General**

Nikon **Manufacturer:**

**Optical Properties**

1.518 **Index of Refraction ( $n_d$ ):**

41 **Abbe Number ( $v_d$ ):**

**Environmental & Durability Factors**

23 **Operating Temperature (°C):**

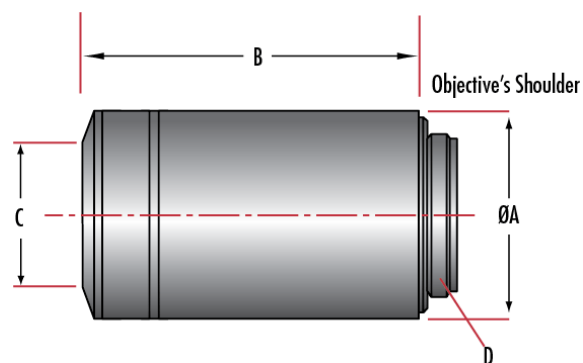
**Regulatory Compliance**

## Product Details

- Superior UV Transmission
- High Numerical Aperture Designs
- Feature Low Auto-Fluorescence Materials

Nikon CFI Super Fluor Objectives are designed to provide superior transmission to ultraviolet applications operating down to 340nm, including for use with fluorochromes indo-1, fura-2, and fluo-3, or for photo-activation of caged compounds. Nikon CFI Super Fluor Objectives are designed using low auto-fluorescence materials along with high numerical apertures to guarantee sharp, bright fluorescence images. These microscope objectives have been optimized for improved signal-to-noise ratios at short wavelengths.

## Technical Information



Dimensions (mm)						
Stock No.	Magnification	Parafocal Length	A	B	C	D
<a href="#">#88-374</a>	4X	60.06	30.0	44.4	19.7	M25 x0
<a href="#">#88-375</a>	10X	60.06	32.0	58.7	8.0	M25 x0
<a href="#">#88-376</a>	20X	60.06	33.5	58.9	9.0	M25 x0
<a href="#">#88-377</a>	40X	60.06	33.0	59.6	7.5	M25 x0