

[See all 14 Products in Family](#)

# Olympus PLN 40X Objective

See More by [Olympus](#)



Olympus Plan Achromatic Objectives



Stock **#86-815** **4 In Stock**

C\$1,057<sup>00</sup>

**ADD TO CART**

Volume Pricing	
Qty 1+	C\$1,057.00 each
Need More?	<a href="#">Request Quote</a>

## Product Downloads

### General

**Model Number:**  
PLN40X

**Compatible Tube Lens Focal Length (mm):**  
Focal Length: 180mm

**Type:**  
Microscope Objective

**Style:**

Olympus **Manufacturer:**

## Physical & Mechanical Properties

0.55 **Field of View (mm):**

44.30 **Length excluding Threads (mm):**

24 **Maximum Diameter (mm):**

110.6 **Weight (g):**

## Optical Properties

0.17 **Compatible Cover Glass Thickness (mm):**

4.50 **Focal Length FL (mm):**

40X **Magnification:**

0.65 **Numerical Aperture NA:**

0.52 **Resolving Power ( $\mu\text{m}$ ):**

0.65 **Depth of Field ( $\mu\text{m}$ ):**

0.6 **Working Distance (mm):**

22 **Field Number (mm):**

45 **Parfocal Length (mm):**

N/A **Immersion Liquid:**

1041 **Depth of Focus ( $\mu\text{m}$ ):**

5.85 **Entrance Pupil Diameter (mm):**

## Threading & Mounting

RMS / 20.32mm x 36 TPI **Mounting Threads:**

## Regulatory Compliance

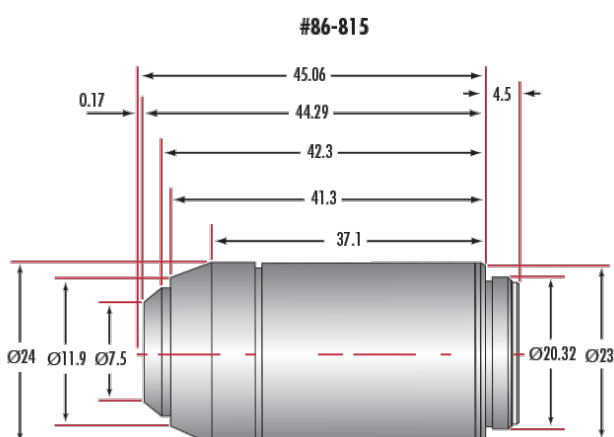
[View](#) **Certificate of Conformance:**

## Product Details

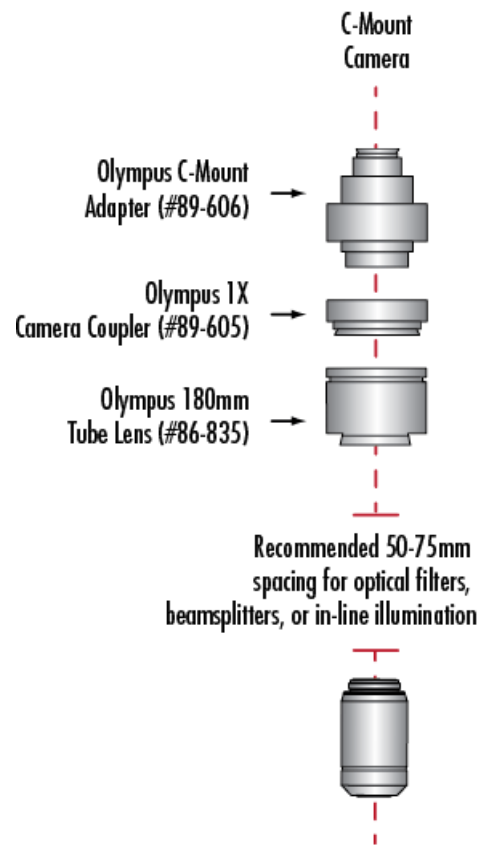
- Ideal for Brightfield, Darkfield, or Fluorescence Microscopy
- Excellent Price-to-Performance Ratio
- Suitable for Introductory and Advanced Optical Microscopy Applications
- Additional [Olympus Infinity Corrected Objectives](#) Available

Olympus Plan Achromatic Objectives are designed for clinical laboratory or examination applications. When using brightfield observation in a transmitted illumination system, Olympus Plan Achromatic Objectives provide excellent field flatness of up to F.N.22.

## Technical Information



## Using Olympus Objectives with C-Mount Cameras



	Stock #	A	B	C	D	E	F	G
PLN 2X	<a href="#">16-879</a>	39.1	3.4	0.0	16.8	16.8	24.0	4.5
PLN 4X	<a href="#">86-812</a>	26.4	4.4	0.0	15.8	15.8	24.0	4.5
PLN 10X	<a href="#">86-813</a>	34.3	4.1	1.6	10.5	16.0	24.0	4.5
PLN 20X	<a href="#">86-814</a>	43.7	4.2	2.4	6.1	15.6	24.0	4.8
PLN 40X	<a href="#">86-815</a>	44.3	4.2	3.0	7.5	15.6	24.0	4.5
PLN 100X	<a href="#">86-816</a>	44.7	4.2	2.5	6.6	15.6	24.0	4.5