

[See all 14 Products in Family](#)

Olympus PLN 4X Objective

See More by [Olympus](#)



Olympus PLN 4X Objective

Stock **#86-812** **9 In Stock**

⊖ 1 ⊕ C\$231⁰⁰

ADD TO CART

Volume Pricing

Qty 1+	C\$231.00 each
Need More?	Request Quote

Product Downloads

General

Model Number:
PLN4X

Compatible Tube Lens Focal Length (mm):
Focal Length: 180mm

Type:
Microscope Objective

Style:
Infinity Corrected

Manufacturer:

Physical & Mechanical Properties

5.5	Field of View (mm):
26.40	Length excluding Threads (mm):
24	Maximum Diameter (mm):
77.5	Weight (g):

Optical Properties

N/A	Compatible Cover Glass Thickness (mm):
45.00	Focal Length FL (mm):
4X	Magnification:
0.10	Numerical Aperture NA:
3.36	Resolving Power (µm):
27.50	Depth of Field (µm):
18.5	Working Distance (mm):
22	Field Number (mm):
45	Parfocal Length (mm):
N/A	Immersion Liquid:
440	Depth of Focus (µm):
9.00	Entrance Pupil Diameter (mm):

Threading & Mounting

RMS / 20.32mm x 36 TPI	Mounting Threads:
------------------------	-------------------

Regulatory Compliance

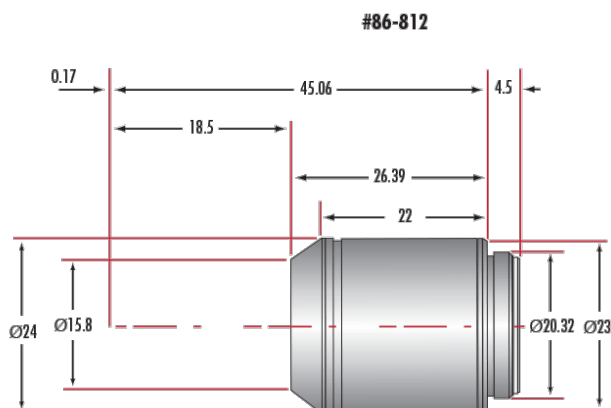
View	Certificate of Conformance:
----------------------	-----------------------------

Product Details

- Ideal for Brightfield, Darkfield, or Fluorescence Microscopy
- Excellent Price-to-Performance Ratio
- Suitable for Introductory and Advanced Optical Microscopy Applications
- Additional [Olympus Infinity Corrected Objectives](#) Available

Olympus Plan Achromatic Objectives are designed for clinical laboratory or examination applications. When using brightfield observation in a transmitted illumination system, Olympus Plan Achromatic Objectives provide excellent field flatness of up to F.N.22.

Technical Information



Using Olympus Objectives with C-Mount Cameras



	Stock #	A	B	C	D	E	F	G
PLN 2X	16-879	39.1	3.4	0.0	16.8	16.8	24.0	4.5
PLN 4X	86-812	26.4	4.4	0.0	15.8	15.8	24.0	4.5
PLN 10X	86-813	34.3	4.1	1.6	10.5	16.0	24.0	4.5
PLN 20X	86-814	43.7	4.2	2.4	6.1	15.6	24.0	4.8
PLN 40X	86-815	44.3	4.2	3.0	7.5	15.6	24.0	4.5
PLN 100X	86-816	44.7	4.2	2.5	6.6	15.6	24.0	4.5

