

[See all 10 Products in Family](#)

Olympus SLMPLN 100X Objective

See More by [Olympus](#)



#86-826

Stock **#86-826** [CONTACT US](#)

1 **C\$11,844⁰⁰**

ADD TO CART

| Volume Pricing | |
|----------------|-------------------------------|
| Qty 1+ | C\$11,844.00 each |
| Need More? | Request Quote |

Product Downloads

General

Model Number:
SLMPLN100X

Compatible Tube Lens Focal Length (mm):
Focal Length: 180mm

Type:
Microscope Objective

Style:
Infinity Corrected

Manufacturer:

Physical & Mechanical Properties

0.26 **Field of View (mm):**

37.40 **Length excluding Threads (mm):**

26 **Maximum Diameter (mm):**

100 **Weight (g):**

Optical Properties

N/A **Compatible Cover Glass Thickness (mm):**

1.80 **Focal Length FL (mm):**

100X **Magnification:**

0.60 **Numerical Aperture NA:**

T> 90 from 400-700nm **Transmission (%):**

0.56 **Resolving Power (μm):**

0.76 **Depth of Field (μm):**

7.6 **Working Distance (mm):**

400 - 700 **Wavelength Range (nm):**

26.5 **Field Number (mm):**

45 **Parfocal Length (mm):**

N/A **Immersion Liquid:**

2.16 **Entrance Pupil Diameter (mm):**

Threading & Mounting

RMS / 20.32mm x 36 TPI **Mounting Threads:**

Regulatory Compliance

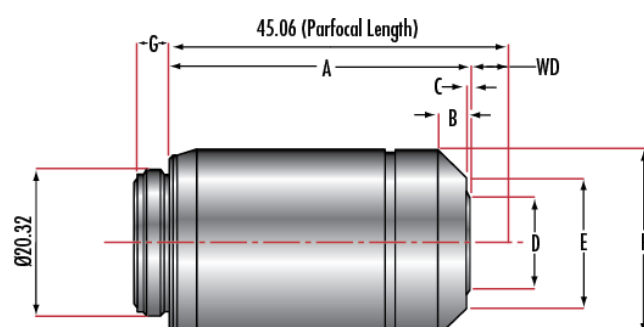
[View](#) **Certificate of Conformance:**

Product Details

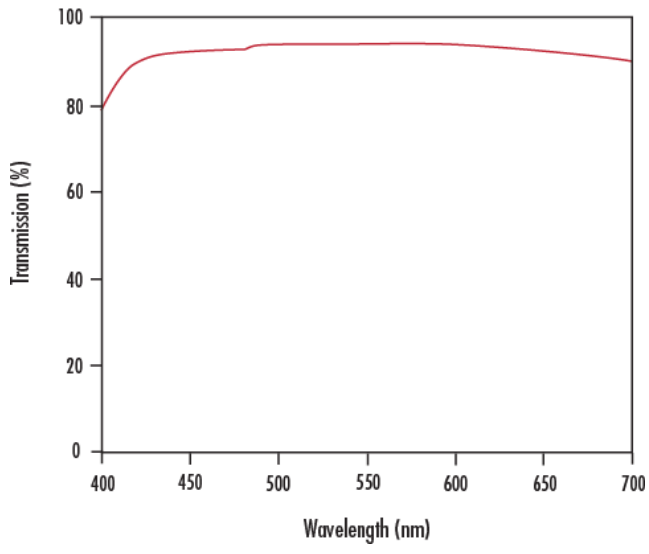
- Ideal for Brightfield Microscopy
- Ultra-Long Working Distances Reduce Risk of Specimen Damage
- Over 90% Transmission from 400 – 700nm
- Additional [Olympus Infinity Corrected Objectives](#) Available

Olympus Super Long WD MPlan Achromat Infinity Corrected Objectives are ideal for electronic assembly, semiconductor inspection, or other flat field inspection applications where resolution is critical. Olympus Super Long WD M Plan Achromat Infinity Corrected Objectives provide excellent performance, ultra-long working distances, and superior image clarity.

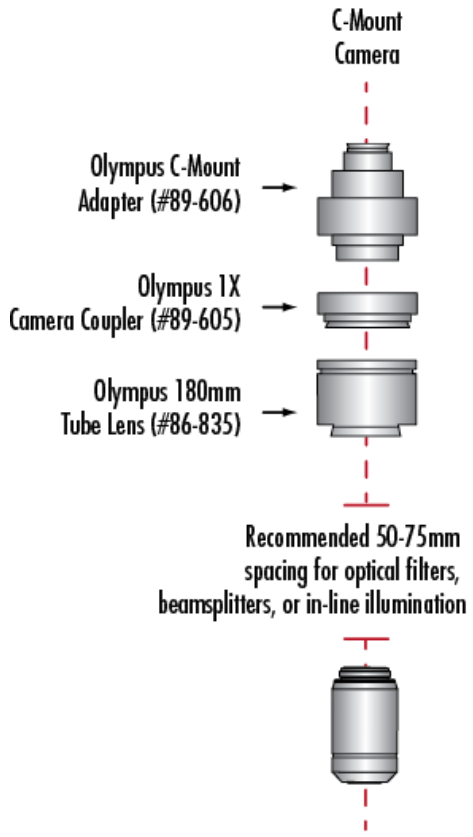
Technical Information



Typical Transmission



Using Olympus Objectives with C-Mount Cameras



Stock #ABCDEFG

| | | | | | | | | |
|-------------|------------------------|------|-----|-----|------|------|------|-----|
| SLMPLN 20X | 86-824 | 20.0 | 0.5 | 0.2 | 16.1 | 25.0 | 26.0 | 4.9 |
| SLMPLN 50X | 86-825 | 27.0 | 2.2 | 0.7 | 16.9 | 21.4 | 26.0 | 4.9 |
| SLMPLN 100X | 86-826 | 37.4 | 1.0 | 0.2 | 14.7 | 23.8 | 26.0 | 4.9 |

