

[See all 10 Products in Family](#)

# Olympus SLMPLN 20X Objective

See More by [Olympus](#)



#86-824

Stock **#86-824** **1 In Stock**

1  C\$5,117<sup>00</sup>

**ADD TO CART**

Volume Pricing	
Qty 1+	C\$5,117.00 each
Need More?	<a href="#">Request Quote</a>

## Product Downloads

### General

**Model Number:**  
SLMPLN20X

**Compatible Tube Lens Focal Length (mm):**  
Focal Length: 180mm

**Type:**  
Microscope Objective

**Style:**  
Infinity Corrected

**Manufacturer:**

## Physical & Mechanical Properties

1.3	Field of View (mm):
20.00	Length excluding Threads (mm):
26	Maximum Diameter (mm):
56	Weight (g):

## Optical Properties

N/A	Compatible Cover Glass Thickness (mm):
9.00	Focal Length FL (mm):
20X	Magnification:
0.25	Numerical Aperture NA:
T> 90 from 400-700nm	Transmission (%):
1.34	Resolving Power (µm):
4.40	Depth of Field (µm):
25.0	Working Distance (mm):
400 - 700	Wavelength Range (nm):
26.5	Field Number (mm):
45	Parfocal Length (mm):
N/A	Immersion Liquid:
4.50	Entrance Pupil Diameter (mm):

## Threading & Mounting

RMS / 20.32mm x 36 TPI	Mounting Threads:
------------------------	-------------------

## Regulatory Compliance

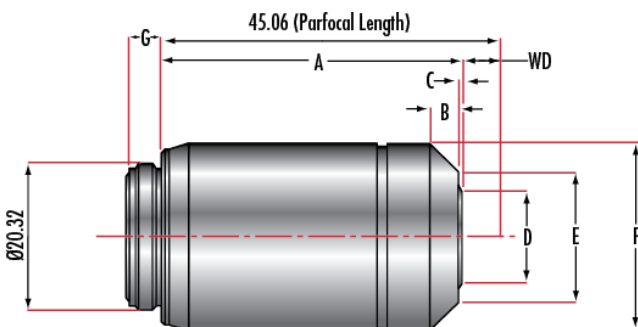
<a href="#">View</a>	Certificate of Conformance:
----------------------	-----------------------------

## Product Details

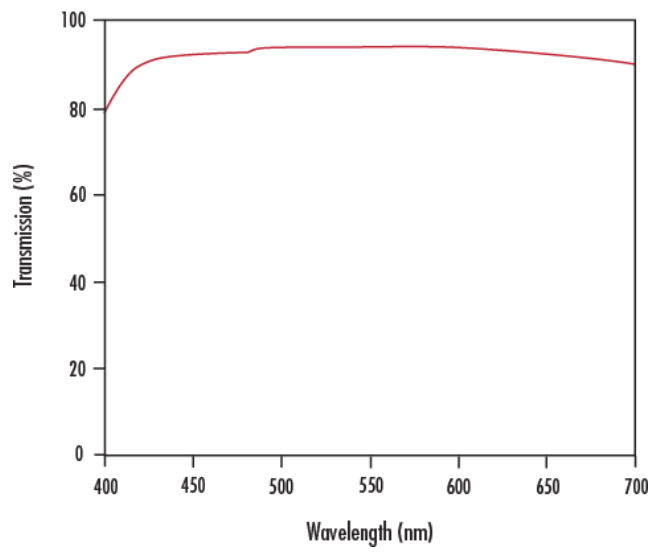
- Ideal for Brightfield Microscopy
- Ultra-Long Working Distances Reduce Risk of Specimen Damage
- Over 90% Transmission from 400 – 700nm
- Additional [Olympus Infinity Corrected Objectives](#) Available

Olympus Super Long WD MPlan Achromat Infinity Corrected Objectives are ideal for electronic assembly, semiconductor inspection, or other flat field inspection applications where resolution is critical. Olympus Super Long WD M Plan Achromat Infinity Corrected Objectives provide excellent performance, ultra-long working distances, and superior image clarity.

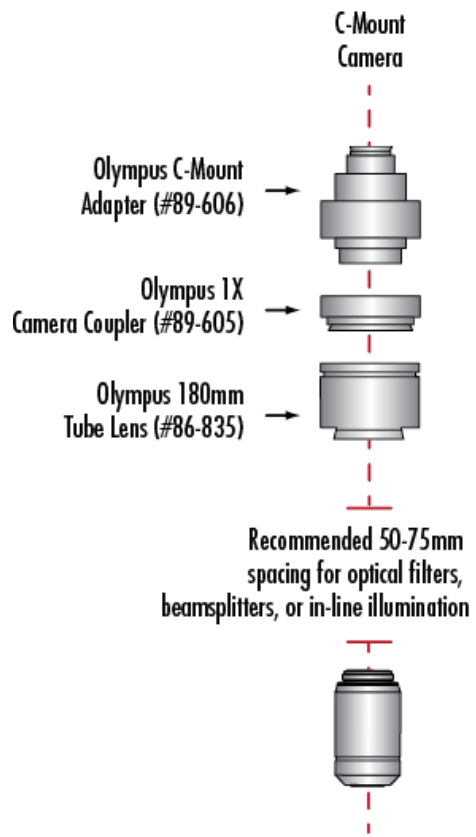
## Technical Information



Typical Transmission



**Using Olympus Objectives with C-Mount Cameras**



Stock #ABCDEFG

SLMPLN 20X	<a href="#">86-824</a>	20.0	0.5	0.2	16.1	25.0	26.0	4.9
SLMPLN 50X	<a href="#">86-825</a>	27.0	2.2	0.7	16.9	21.4	26.0	4.9
SLMPLN 100X	<a href="#">86-826</a>	37.4	1.0	0.2	14.7	23.8	26.0	4.9

