

[See all 14 Products in Family](#)

Olympus UPLFLN 100X (Oil Immersion) Objective

See More by [Olympus](#)



Olympus UPLFLN 100X(Oil Immersion) Objective

Stock **#86-823** **3 In Stock**

C\$4,543⁰⁰

ADD TO CART

| Volume Pricing | |
|----------------|-------------------------------|
| Qty 1+ | C\$4,543.00 each |
| Need More? | Request Quote |

Product Downloads

General

Model Number:
UPLFLN100X02

Compatible Tube Lens Focal Length (mm):
Focal Length: 180mm

Type:
Microscope Objective

Style:
Infinity Corrected

Manufacturer:

Olympus

Note:

Recommended Immersion Oil [#86-834](#)

Physical & Mechanical Properties

Field of View (mm):

0.26

Length excluding Threads (mm):

44.70

Maximum Diameter (mm):

28

Weight (g):

134

Iris Option:

Fixed

Optical Properties

Compatible Cover Glass Thickness (mm):

0.17

Focal Length FL (mm):

1.80

Magnification:

100X

Numerical Aperture NA:

1.30

Resolving Power (μm):

0.26

Depth of Field (μm):

0.25

Working Distance (mm):

0.20

Wavelength Range (nm):

380 - 900

Field Number (mm):

26.5

Parfocal Length (mm):

45

Immersion Liquid:

Oil

Entrance Pupil Diameter (mm):

4.68

Threading & Mounting

Mounting Threads:

RMS / 20.32mm x 36 TPI

Regulatory Compliance

RoHS 2015:

[Exempt](#)

Certificate of Conformance:

[View](#)

Reach 247:

[Contains SVHC\(s\)](#)

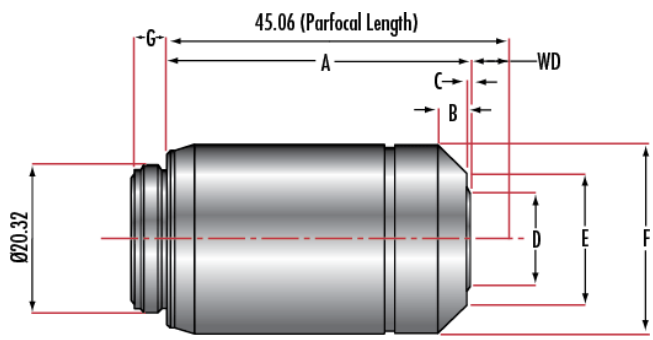
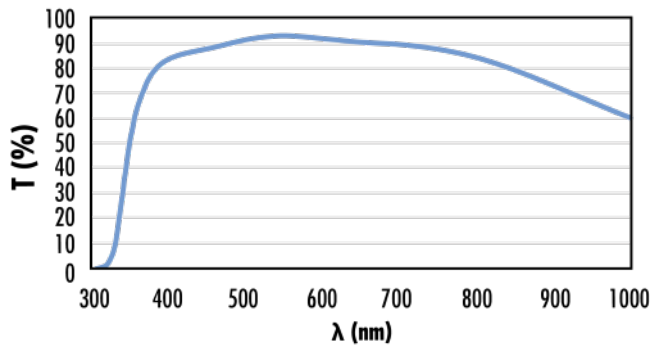
Product Details

- Ideal for Brightfield, Darkfield, DIC, Fluorescence, or Polarization Microscopy
- Excellent Transmission in the UV
- High Numerical Apertures, Oil Immersion, and Variable Iris Options Available
- Additional [Olympus Infinity Corrected Objectives](#) Available

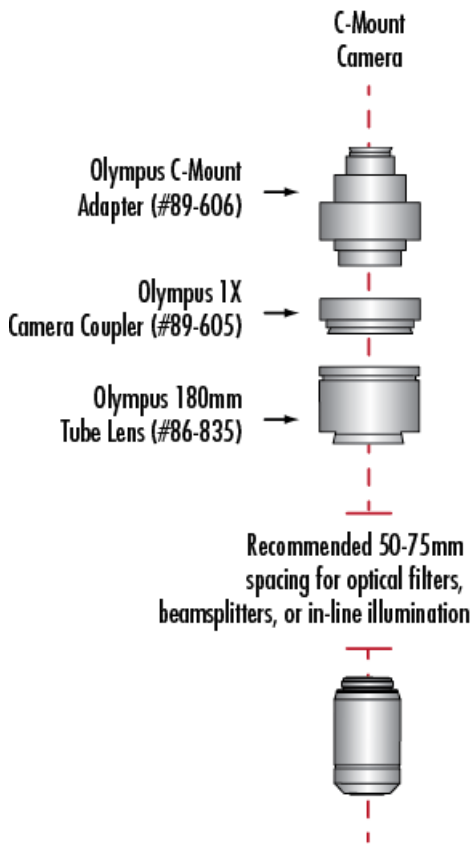
Olympus Plan Fluorite Objectives are multi-purpose objectives that utilize advanced multi-coatings to provide excellent flat field images from the UV to NIR. The objectives offer high signal-to-noise ratios, excellent resolution, and high contrast imaging capability. These objectives are ideal for brightfield microscopy or Nomarski differential interference contrast (DIC) observations, in addition to darkfield or fluorescence microscopy, or specific polarization techniques. Olympus Plan Fluorite Objectives are available in 4X up to 100X magnification. High Numerical Apertures, Oil Immersion, and Variable Iris options are available. Variable Iris options feature a correction collar to adjust the iris and reduce straylight to fine-tune the image as needed. Additional [Olympus Infinity Corrected Objectives](#) are also offered.

Technical Information

#86-823



Using Olympus Objectives with C-Mount Cameras



| | Stock # | A | B | C | D | E | F | G |
|---|------------------------|------|------|-----|------|------|------|-----|
| UPLFLN 4X | 86-817 | 27.9 | 2.8 | 0.0 | 18.0 | 18.0 | 24.0 | 4.5 |
| UPLFLN 10X | 86-818 | 34.9 | 10.1 | 0.0 | 13.6 | 13.6 | 24.0 | 4.5 |
| UPLFLN 20X | 86-819 | 42.8 | 5.3 | 2.3 | 9.4 | 15.8 | 26.0 | 4.5 |
| UPLFLN 40X | 86-820 | 44.4 | 5.1 | 4.0 | 8.5 | 16.0 | 26.0 | 4.5 |
| UPLFLN 60X | 86-822 | 44.7 | 5.2 | 2.7 | 8.6 | 17.0 | 29.0 | 4.7 |
| UPLFLN 60X Adjustable Iris (Oil Immersion) | 91-765 | 45.1 | 6.2 | 1.7 | 3.7 | 20.1 | 30.5 | 4.7 |
| UPLFLN 100X (Oil Immersion) | 86-823 | 44.7 | 5.5 | 3.0 | 7.0 | 17.2 | 28.0 | 4.5 |
| UPLFLN 100X Adjustable Iris (Oil Immersion) | 91-766 | 45.1 | 3.7 | 3.0 | 7.0 | 18.2 | 29.0 | 4.5 |