

[See all 16 Products in Family](#)

# Olympus Wide Field Tube Lens to T-Mount Holder

See More by [Olympus](#)



Olympus Wide Field Tube Lens to T-Mount Holder (#11-149)

Stock **#11-149** **5 In Stock**

⊖ 1 ⊕ C\$245<sup>00</sup>

**ADD TO CART**

Volume Pricing	
Qty 1+	C\$245.00 each
Need More?	<a href="#">Request Quote</a>

## Product Downloads

### General

**Manufacturer:**  
Edmund Optics®

**Note:**  
Requires adapter [#52-301](#) to connect Olympus objective

### Physical & Mechanical Properties

**Outer Diameter (mm):**  
56.0

## Threading & Mounting

### Mounting Threads:

External: M42 x0.75 (Male and Female)  
Internal: M41 x0.5

## Regulatory Compliance

### Certificate of Conformance:

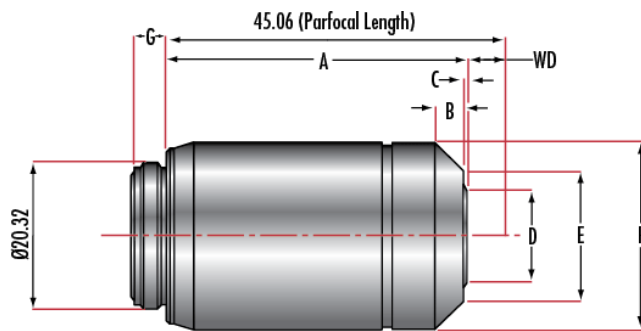
[View](#)

## Product Details

- Ideal for Brightfield, Darkfield, DIC, Fluorescence, or Polarization Microscopy
- Excellent Transmission in the UV
- High Numerical Apertures, Oil Immersion, and Variable Iris Options Available
- Additional [Olympus Infinity Corrected Objectives](#) Available

Olympus Plan Fluorite Objectives are multi-purpose objectives that utilize advanced multi-coatings to provide excellent flat field images from the UV to NIR. The objectives offer high signal-to-noise ratios, excellent resolution, and high contrast imaging capability. These objectives are ideal for brightfield microscopy or Nomarski differential interference contrast (DIC) observations, in addition to darkfield or fluorescence microscopy, or specific polarization techniques. Olympus Plan Fluorite Objectives are available in 4X up to 100X magnification. High Numerical Apertures, Oil Immersion, and Variable Iris options are available. Variable Iris options feature a correction collar to adjust the iris and reduce straylight to fine-tune the image as needed. Additional [Olympus Infinity Corrected Objectives](#) are also offered.

## Technical Information



	Stock #	A	B	C	D	E	F	G
UPLFLN 4X	<a href="#">86-817</a>	27.9	2.8	0.0	18.0	18.0	24.0	4.5
UPLFLN 10X	<a href="#">86-818</a>	34.9	10.1	0.0	13.6	13.6	24.0	4.5
UPLFLN 20X	<a href="#">86-819</a>	42.8	5.3	2.3	9.4	15.8	26.0	4.5
UPLFLN 40X	<a href="#">86-820</a>	44.4	5.1	4.0	8.5	16.0	26.0	4.5
UPLFLN 60X	<a href="#">86-822</a>	44.7	5.2	2.7	8.6	17.0	29.0	4.7
UPLFLN 100X(Oil Immersion)	<a href="#">86-823</a>	44.7	5.5	3.0	7.0	17.2	28.0	4.5

