

Prism Mount



#53-030 + Cube Beamsplitter

Stock **#53-030** **20+ In Stock**

⊖ 1 ⊕ C\$159⁰⁰

ADD TO CART

Volume Pricing	
Qty 1-4	C\$159.60 each
Qty 5-9	C\$143.64 each
Qty 10-49	C\$136.08 each
Need More?	Request Quote

Product Downloads

General

Fixed **Type:**

Cube/Prism **Type of Optics:**

Physical & Mechanical Properties

3.00 **Outer Diameter (inches):**

Outer Diameter (mm):
76.2

Construction:
Black Anodized Aluminum with Steel Post and Delrin
Clamp

Threading & Mounting

Size of Compatible Optics (mm):
50.0

Compatible Post:
1/4-20

Regulatory Compliance

RoHS 2015:
Compliant

Reach 224:
Compliant

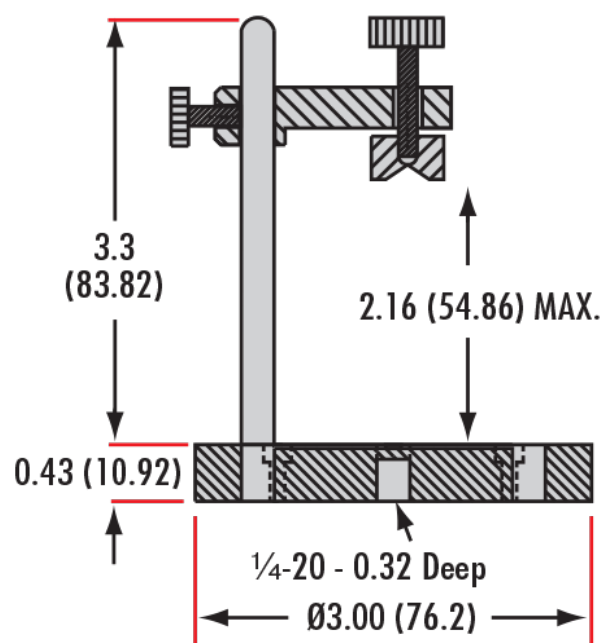
Certificate of Conformance:
[View](#)

Product Details

- Easily Secure [Prisms](#) or [Cube Beamsplitters](#)
- Adjustable for Optics up to 55mm
- Rotary Version Offers Manual 360° Rotation

English Prism Mounts feature a steel post and anodized aluminum arm which eliminates obstructions in the optical path while still maintaining a secure position on the optic. Ideal for prisms and cube beamsplitters with a maximum height of 55mm, this prism mount features a V-cut clamp made of scratch resistant Delrin® to prevent damage to optics. The Prism Holder is also available as a complete assembly with the [Rotary Optic Mount](#), which allows smooth manual 360° rotation of the prism. English Prism Mounts have a locking knob that keep prisms securely positioned for increased repeatability.

Technical Information



53-030