

# Standard Attachement Measurement Probe

See More by [Nikon](#)



Nikon DIGIMICRO Digital Length Measuring System



Stock #29-238 [CONTACT US](#)

- 1 + C\$82<sup>00</sup>

**ADD TO CART**

Volume Pricing	
Qty 1+	C\$82.60 each
Need More?	<a href="#">Request Quote</a>

Product Downloads

## SPECIFICATIONS

### General

Measurement Probe  
**Type:**  
 Manufacturer:

## Regulatory Compliance

Certificate of Conformance:

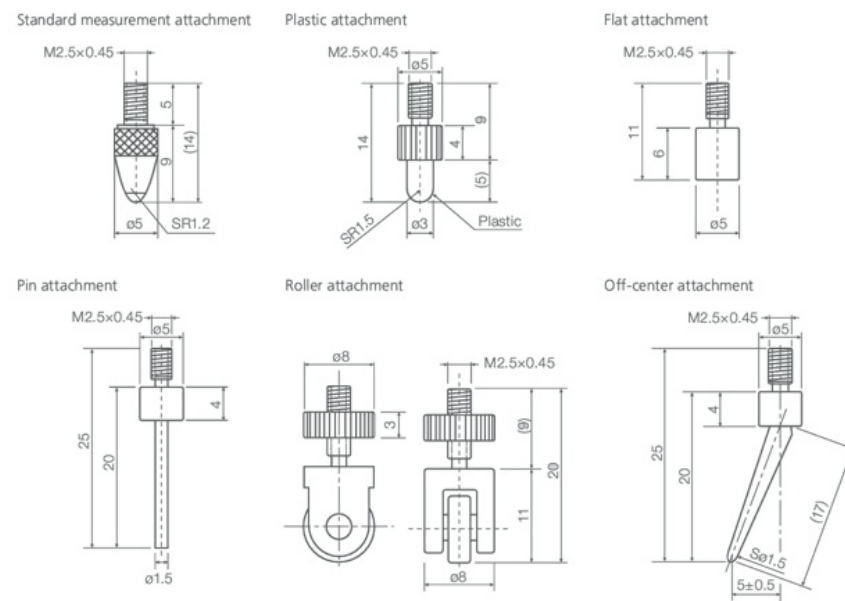
[View](#)

## PRODUCT DETAILS

- 1 $\mu$ m Accuracy (at 20°C) and Measurement Length of 0 - 50mm
- 500mm/sec Maximum Response Speed
- Granite Platform Stand and 6 Measuring Probe Tips Available

The Nikon DIGIMCRO Digital Length Measuring System features a built-in, photoelectric, digital linear scale to provide precise contact-based thickness, depth, and height measurements of industrial materials. This measuring system has a 0 – 50mm measuring range and a 0.1 $\mu$ m minimum readable value at an accuracy of 1 $\mu$ m (at 20°C) with a response speed of 500mm/sec. The measurement head has 6 measuring probe tip options such as the standard, pin, plastic, off-center, flat, and roller tips for measurements of various materials. The Nikon DIGIMCRO Digital Length Measuring System is equipped with the MFC-200 Digital Counter for display and resolution switching, direction switching, and display unit switching functions. This measuring system is ideal industrial metrology applications requiring extreme precision and accuracy.

## TECHNICAL INFORMATION



PID4485\_Measurement\_Probes