

Swivel Arm



#03-684 Swivel Arm

Stock **#03-684** [CONTACT US](#)

- 1 + **C\$147⁰⁰**

ADD TO CART

Volume Pricing	
Qty 1+	C\$147.00 each
Need More?	Request Quote

Product Downloads

General

Mounting Adapter **Type:**

Physical & Mechanical Properties

127 x 38.1 x 38.1 **Dimensions (mm):**

Black Anodized Aluminum with Stainless Steel Post **Construction:**

1.19 **Weight (lbs):**

Dimensions (inches):

1.5 W x 5 L x 1.5 H

Regulatory Compliance

RoHS 2015:

Compliant

Certificate of Conformance:

View

Product Details

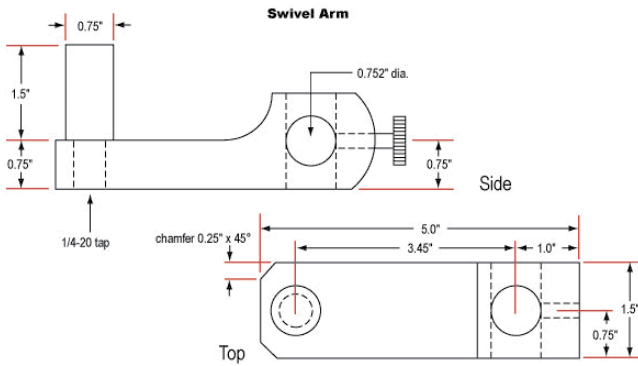
- Swivel Arm for Added Flexibility
- 90° Angle Mounts Connect Horizontal Arms onto Vertical Posts
- Ring Mounts for Increased Versatility
- [Imaging System Bases](#), [Rack and Pinion Focusing Mounts](#), and [Stainless Steel Posts](#) Also Available

Accessories for Imaging Systems are available to increase the versatility of an imaging system. Products in this family include a swivel arm, Infinity Microscope, 90° angle mount, and ring mounts. The swivel arm adds an axis of rotation to the rack and pinion-focusing mounts. The swivel arm can rotate around a vertical post, and the rack and pinion focus mount can rotate around the 3/4" post attached to the swivel arm. The Infinity microscope mounting adapter is compatible with Rack and Pinion Mount #39-357 and reduces the thru hole diameter to 58mm. The 90° angle mount, offered in Accessories for Imaging Solutions, allows the mounting of posts at 90° in optical systems. Ring mounts are available for attaching light sources, articulating arms, straight posts, or any 1/4-20 accessory to standard mounting hardware.

Features

90° Angle Mount #39-355 features two 3/4" thru holes at 90° with locking knobs. All Ring Mounts feature 1/4-20 mounting hole, set screw for securing post, or optical component within the inner diameter. Swivel Arm #03-684 features a 0.75" diameter post which accepts rack and pinion focusing mount and allows swivel movement. Infinity Mounting Adapter #39-358 features male and female T-thread to replace 24mm tube section of infinity lens.

Technical Information



Stock No.	A	T	O.D.	I.D.
#54-263	0.375"	0.5"	2.5"	1.5"
#54-264	0.375"	0.5"	1.75"	0.75"
#54-265	0.271"	0.375"	1.25"	0.5"

