

Tilt Stage Metric in Two Axes



Stock #55-459 **9 In Stock**

⊖ 1 ⊕ C\$534.⁰⁰

ADD TO CART

Volume Pricing

Qty 1-9	C\$534.80 each
Qty 10+	C\$472.08 each
Need More?	Request Quote

Product Downloads

General

Metric **Type:**

Physical & Mechanical Properties

Tip-Tilt **Type of Movement:**

60 x 60 **Stage Size (mm):**

±2.5 **Travel (°):**

M16 x 1	Center Hole:
Aluminium Stage	Construction:
0.25	Leadscrew Pitch (mm):
3	Load Capacity (kg):
0.22	Weight (kg):

Hardware & Interface Connectivity

Fine Screw (100 Pitch)	Type of Drive:
------------------------	-----------------------

Threading & Mounting

(1) M16 x 1, (2) M6 x 1, (4) M4 x 0.7	Mounting Threads:
---------------------------------------	--------------------------

Regulatory Compliance

Exempt	RoHS 2015:
View	Certificate of Conformance:
Contains SVHC(s)	Reach 247:

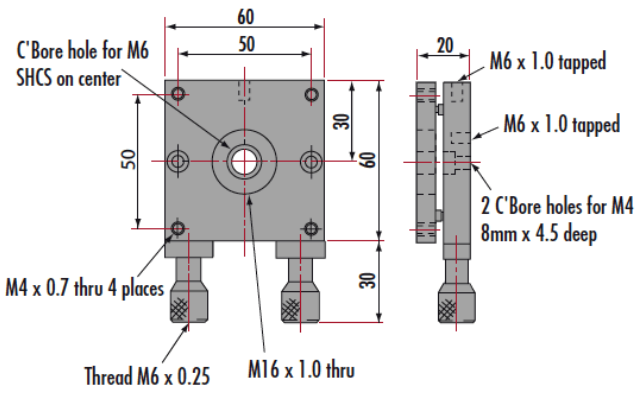
Product Details

- Tilt Control in Two Axes ($\pm 2.5^\circ$)
- Multiple Tapped and C'bored Holes for Easy Mounting
- Black Anodized Aluminum

Ideal for tilt control of both optics and mounting posts. Platform top plate has 4 M4 tapped holes at each corner (on 50mm centers) and one M16 tapped hole on center. Platform bottom plate has 2 counterbore holes for M4 SHCS, one M6 SHCS (on center) counterbore hole for mounting to our [Metric Breadboards and Base Plates](#), and one M6 tapped hole for mounting to our [Metric Stainless Steel Mounting Posts](#). Platform also features one M6 tapped hole for mounting vertically. Stage includes two M4 stainless steel socket head cap screws.

Compatible with the following stages: [#54-687](#), [#55-032](#), [#55-459](#), [#55-527](#), [#55-840](#), [#55-841](#), [#56-335](#), and [#56-336](#).

Technical Information



Units: mm