

[See all 23 Products in Family](#)

Top Adapter Plate 1/4-20 Grade

See More by [Zaber™](#)



Stock #91-133 NEW **2 In Stock**

C\$133⁰⁰

ADD TO CART

Volume Pricing

Qty 1+	C\$133.00 each
--------	----------------

Need More?	Request Quote
------------	-------------------------------

Product Downloads

General

Adapter Brackets & Plates

Type:

Physical & Mechanical Properties

60.00 Length (mm):

6.00 Thickness (mm):

60.00 Width (mm):

Threading & Mounting

Mounting Threads:

(9) 1/4"-20 tapped, (4) M3 S.H.C.S. C'bore Slot

Regulatory Compliance

RoHS 2015:

Compliant

Certificate of Conformance:

[View](#)

Product Details

- High Accuracy, 25mm, 50mm, 100mm, and 200mm Travel Options
- Integrated Motor and Controller
- Available with Integrated, 200 Counts per Revolution (CPR) Motor Mounted Encoder
- Easily Configurable in X-Y or X-Y-Z Configurations
- Vacuum-Compatible Options

Zaber™ High Precision Motorized Stage Systems are computer-controlled, self-contained linear stages that include a stepper motor and built-in controller. Zaber™ High Precision Motorized Stage Systems can connect directly to a computer's RS-232 port, while the included software provides an easy method for controlling travel distance or position. Additionally, the manual control potentiometer permits smooth manual movement. Encoder versions are available for all travel lengths, with 200 Counts per Revolution (CPR) rotary quadrature encoders integrated into the stepper motor. The integrated rotary encoder provides closed-loop control and slip/stall detection and recovery.

Note: A bottom adapter plate (sold separately) is required for mounting to a standard metric or English breadboard. A 24-48 VDC universal power supply, data cables for daisy chaining, and computer interface cables (USB or RS-232) are sold separately as accessories. Use Top Adapter Plate [#68-644](#) to Mount 70mm TECHSPEC® Stages.

Technical Information

Device Overview / Connectors

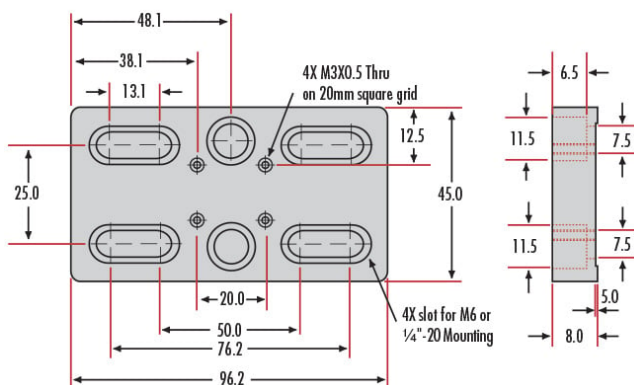
Images are shown looking into the device.

Power

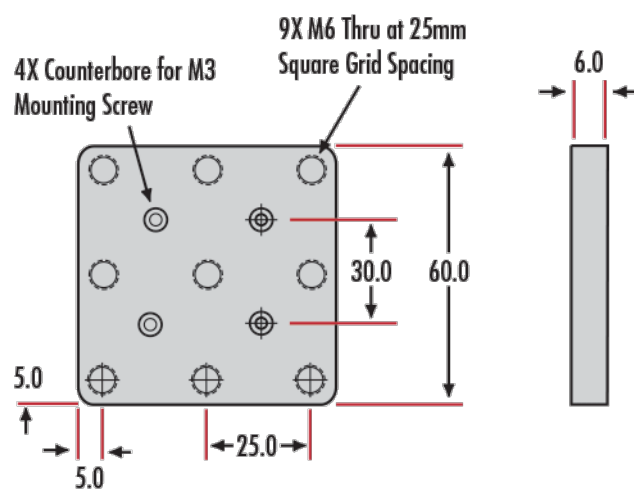
Pin	Description
1	24 - 48 V
2	GND (Note: power supplies ground this pin to AC Earth)

Note: To prevent damage to the device due to static buildup, the device should be properly grounded. The power supplies for X-Series devices are non-isolated and thus ground the device chassis to Earth via the negative terminal of the power supply. If for any reason you are using an isolated power supply, please ensure your device is grounded by connecting the negative terminal of the power connector to AC Earth.

#68-645



#68-644



#68-343

