

## Universal Breadboard Adapter for 3/4" Posts



#12-637: Universal Breadboard Adapter for 3/4" Posts

Stock **#12-637** **17 In Stock**

⊖ 1 ⊕ C\$186<sup>00</sup>

**ADD TO CART**

### Volume Pricing

Qty 1-4	C\$186.20 each
Qty 5-9	C\$165.06 each
Qty 10+	C\$152.46 each
Need More?	<a href="#">Request Quote</a>

### Product Downloads

### General

Imaging System Base **Type:**  
19.05 (3/4") **Compatible Post Diameter (mm):**

### Physical & Mechanical Properties

76.20 **Length (mm):**

3.0	Length (inches):
76.20	Width (mm):
3.0	Width (inches):
Anodized Aluminum	Construction:
1.5	Height (inches):
0.5	Weight (lbs):
38.10	Height (mm):

## Threading & Mounting

0.75" Dia. Hole with Locking Screw	Mounting Threads:
------------------------------------	-------------------

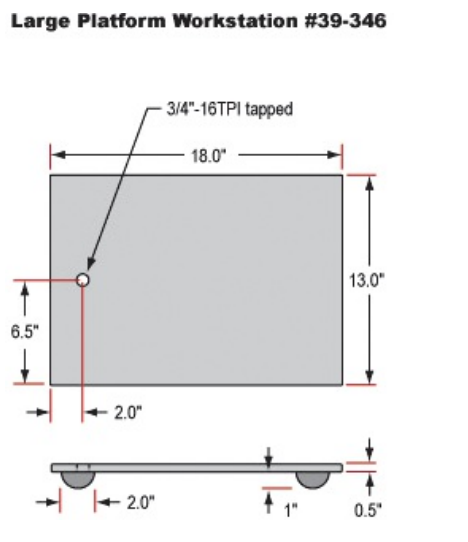
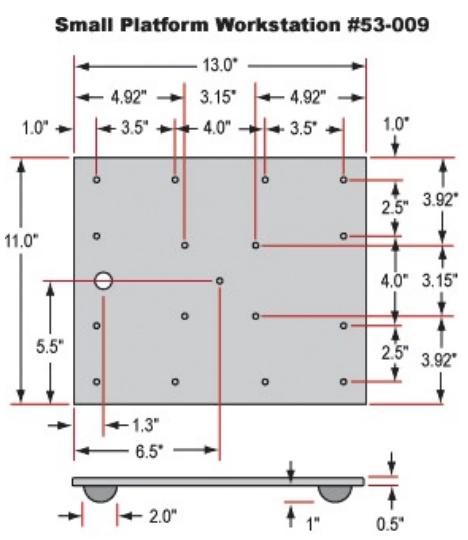
## Regulatory Compliance

Compliant	RoHS 2015:
Compliant	Reach 224:
View	Certificate of Conformance:

## Product Details

- Variety of Bases Available
  - Stand-Alone or Benchtop Compatible Bases
  - Designed for Use with 0.75" [Stainless Steel Posts](#)
  - [Rack and Pinion Focusing Mounts](#), and [Accessories](#) also Available
- Imaging System Bases are designed to construct imaging systems utilizing our 0.75" (19.05mm) diameter, 16 TPI mounting posts. The Large Workstation Platform and Small Platform Base feature sorbothane feet to minimize vibration. The Circular Base is weighted for added stability. The Universal Breadboard Adapter for 3/4" Posts features slots that allow for mounting to both metric and English [optical tables and breadboards](#). Imaging System Bases are available for a variety of system mounting and construction needs.

## Technical Information



#54-262 Breadboard Adapter

