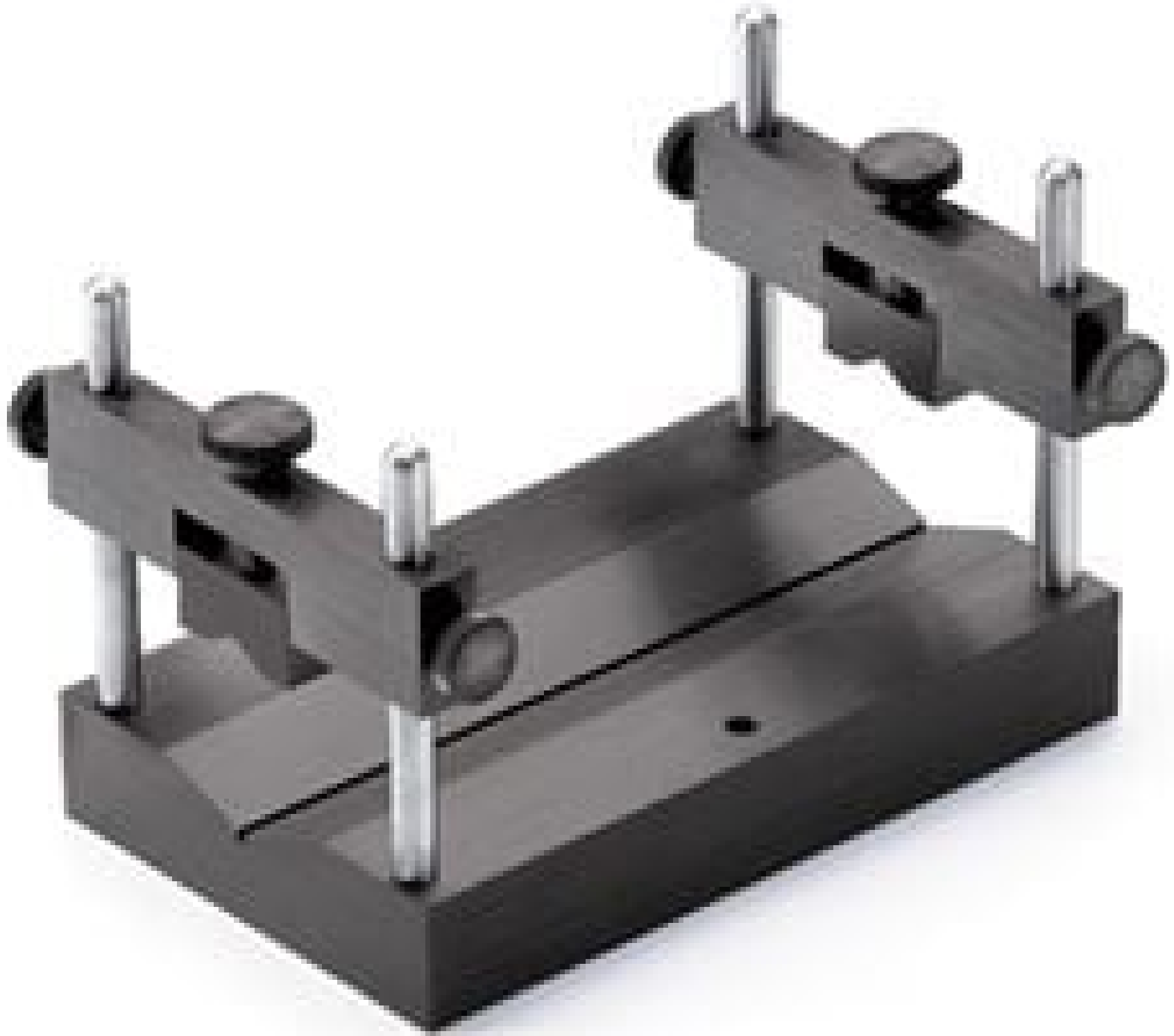


V-Block Base with Clamps



Stock #03-665 **20+ In Stock**

- 1 + C\$427.⁰⁰

ADD TO CART

Volume Pricing

Qty 1-4	C\$427.00 each
Qty 5-9	C\$377.72 each
Qty 10-49	C\$347.90 each
Need More?	Request Quote

Product Downloads

General

Fixed **Type:**

Cylindrical Tube **Type of Optics:**

Physical & Mechanical Properties

Black Anodized Aluminum, Stainless Steel Post **Construction:**

Number of Clamps:

2

Threading & Mounting

Size of Compatible Optics (mm):

5.6 - 67.9

Compatible Post:

1/4-20

Regulatory Compliance

RoHS 2015:

Compliant

Reach 224:

Compliant

Certificate of Conformance:

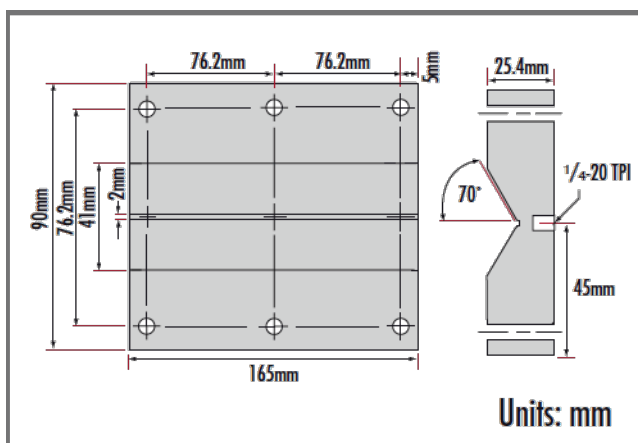
[View](#)

Product Details

- Adjustable Height Bar Clamp Included with [#03-665](#)
- Ideal for Mounting Laser Tubes and Large Optical Elements
- 1/4-20 Tap Hole Allows Mounting to 0.50" Diameter Post

Our V-Block base is ideal for mounting laser tubes and optical elements thick enough to stand vertically on edge (such as most achromats). The six 1/4-20 tap holes around the base are designed to accept clamp posts, but may also be used to mount the V-Block. A 1/4-20 tap hole in the center of the base allows mounting to any 0.50" diameter post. Adjustable height bar-type clamp secures components in the V-Block.

Technical Information



V-Block Base