

[« See all 14 Products in Family](#)
[All Products](#) / [Imaging Lenses](#) / [Zoom & Variable Magnification Lenses](#)  
[/ High Magnification Long Working Distance Zoom Lenses](#) / [VZM™ Zoom Imaging Lenses](#)

# VZM 200i 0.75X Extender Lens

 Stock #63-100 CLEARANCE 5 In Stock


- 1 +

 C\$299<sup>.93</sup>

ADD TO CART



VZM™ 200i

Volume Pricing	
Qty 1+	C\$299.93 each
Need More?	<a href="#">Request Quote</a>

## General

**Type:** Lens Accessory

## Physical & Mechanical Properties

**Length (mm):** 20.00

**Maximum Diameter (mm):** 28.00

## Optical Properties

**Working Distance Tolerance (mm):** ±1.5

**Working Distance (mm):** 98.00

**Magnification:** 0.375X - 1.5X

## Regulatory Compliance

**Certificate of Conformance:** [View](#)

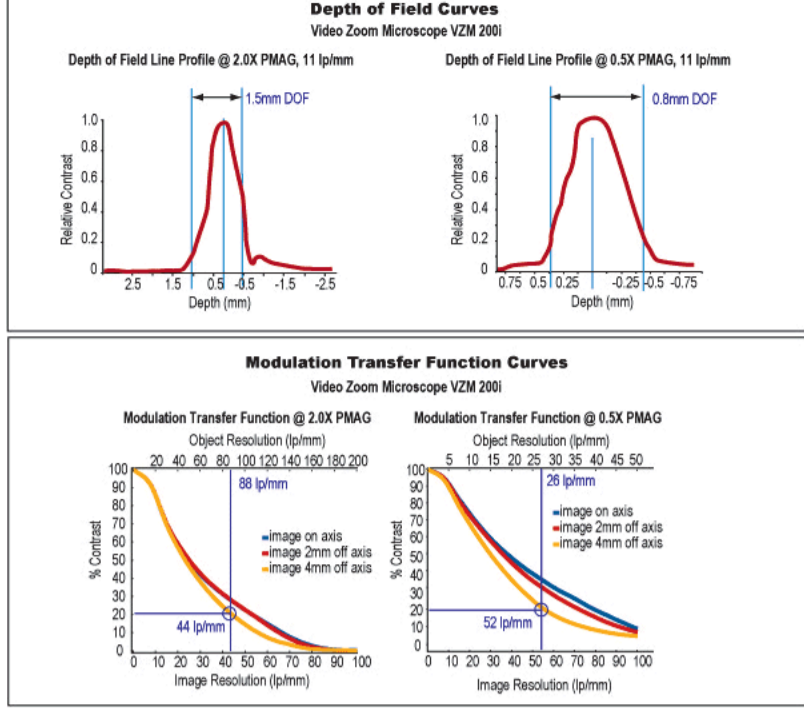
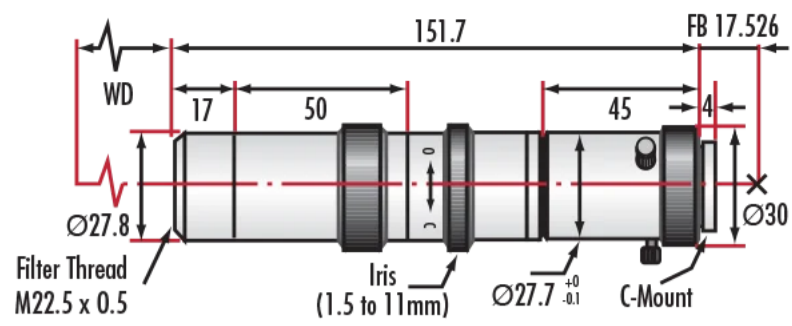
## Product Details

- Designed to Accomodate up to 2/3" Sensor Size Formats
- Dependable, Versatile Performance in Compact Designs
- Analog and Digital [Imaging Systems](#) Available

VZM™ Zoom Imaging Lenses enable inspection of a wide range of objects without the inconvenience of changing working distances. In addition, the parfocal zoom allows magnifications to be easily changed without refocusing. These economical lenses are available in working distances ranging from 35mm to 175mm and offer a maximum 2/3" sensor format. Iris versions (i-series) all have locking iris, front filter thread, removable mounting flange, and optional zoom lock. All lenses have a 50mm diameter flange (removable on iris versions except 450i Right Angle) for mounting. VZM™ Zoom Imaging Lenses are ideal for inspection of integrated circuits and solder joints. Also suited for quality control and laboratory inspection needs, as well as surface analysis.

## Technical Information

# VZM™ 200i



VZM Model	100i	200i	300	300i	450	450i	600i	1000	1000i
Zoom Ratio	4:1	4:1	4:1	4:1	6.4:1	6:1	6:1	4:1	4:1
Magnification	0.25 - 1X	0.5 - 2X	0.75 - 3X	0.75 - 3X	0.7 - 4.5X	0.75 - 4.5X	1 - 6X	2.5 - 10X	2.5 - 10X
Manual Iris	✓	✓		✓		✓	✓		✓
Rotatable Mount	✓	✓		✓		✓	✓		✓
Zoom Lock Adapter	✓	✓		✓		✓	✓		✓
Motorized Version			✓		✓			✓	
Right Angle Version						✓			

Primary Magnification	With 0.5X Lens	
	Minimum 0.25X	Maximum 1.0X
FOV (½" Horizontal Sensor)	24.0mm	6.0mm
Resolution in Object Space	10 lp/mm	40 lp/mm
Resolution in Image Space	40 lp/mm	40 lp/mm
Working Distance (±3mm)	152mm	152mm

Primary Magnification	With 0.5X Lens	
	Minimum 0.35X	Maximum 2.25X
FOV (½" Horizontal Sensor)	17.6mm	2.8mm
Resolution in Object Space	12 lp/mm	80 lp/mm
Resolution in Image Space	34 lp/mm	35.5 lp/mm
Working Distance (±3mm)	147mm	147mm

Primary Magnification	With 0.5X Lens		With 0.25X Lens	
	Minimum 0.35X	Maximum 2.25X	Minimum 0.175X	Maximum 1.125X
FOV (½" Horizontal Sensor)	17.6mm	2.8mm	35.2mm	5.6mm
Resolution in Object Space	12 lp/mm	80 lp/mm	6 lp/mm	40 lp/mm
Resolution in Image Space	34 lp/mm	35.5 lp/mm	34 lp/mm	35.5 lp/mm
Working Distance (±3mm)	147mm	147mm	275mm	275mm

## Accessories

**Note:** Compatible accessories for individual stock numbers may vary. If unsure about which accessories work with your products, please contact us [here](#).

	Title	Compare	Stock Number	Price	Buy
<a href="#">MORE+</a>	VZM 200i 0.5X Extender Lens		#54-716 <b>CLEARANCE</b>	<b>C\$143.93</b> <a href="#">Request Quote</a>	4 In Stock <input type="text" value="1"/>
<a href="#">MORE+</a>	VZM 200i 0.75X Extender Lens		#63-100 <b>CLEARANCE</b>	<b>C\$299.93</b> <a href="#">Request Quote</a>	5 In Stock <input type="text" value="1"/>
<a href="#">MORE+</a>	VZM 450 0.5X Extender Lens		#55-386	<b>C\$187.60</b> <a href="#">Request Quote</a>	8 In Stock <input type="text" value="1"/>
<a href="#">MORE+</a>	VZM 450i 0.5X Extender Lens		#54-670 <b>CLEARANCE</b>	<b>C\$116.93</b> <a href="#">Request Quote</a>	1 In Stock <input type="text" value="1"/>
<a href="#">MORE+</a>	VZM i-Series Extra Dovetail C-Mount		#56-294	<b>C\$111.30</b> <a href="#">Request Quote</a>	14 In Stock <input type="text" value="1"/>
<a href="#">MORE+</a>	VZM i-Series Zoom Lock Adapter		#57-831	<b>C\$154.00</b> <a href="#">Request Quote</a>	3 In Stock <input type="text" value="1"/>
<a href="#">MORE+</a>	VZM Ring Light Adapter		#59-854	<b>C\$149.80</b> <a href="#">Request Quote</a>	20+ In Stock <input type="text" value="1"/>

## Resources

### Media Type

- Application Note
- Video
- Published Article
- FAQ
- Glossary
- Technical Tool

**APPLICATION NOTE**

**Anti-Reflection (AR) Coatings**

**APPLICATION NOTE**

**An Introduction to Optical Coatings**

**VIDEO**

**Wavelength and f#**

**APPLICATION NOTE**

**Understanding Focal Length and Field of View**

**APPLICATION NOTE**

**Introduction to Modulation Transfer Function**

**WEBINARS**

**Choosing the Right Machine Vision Lens**

[View More](#)